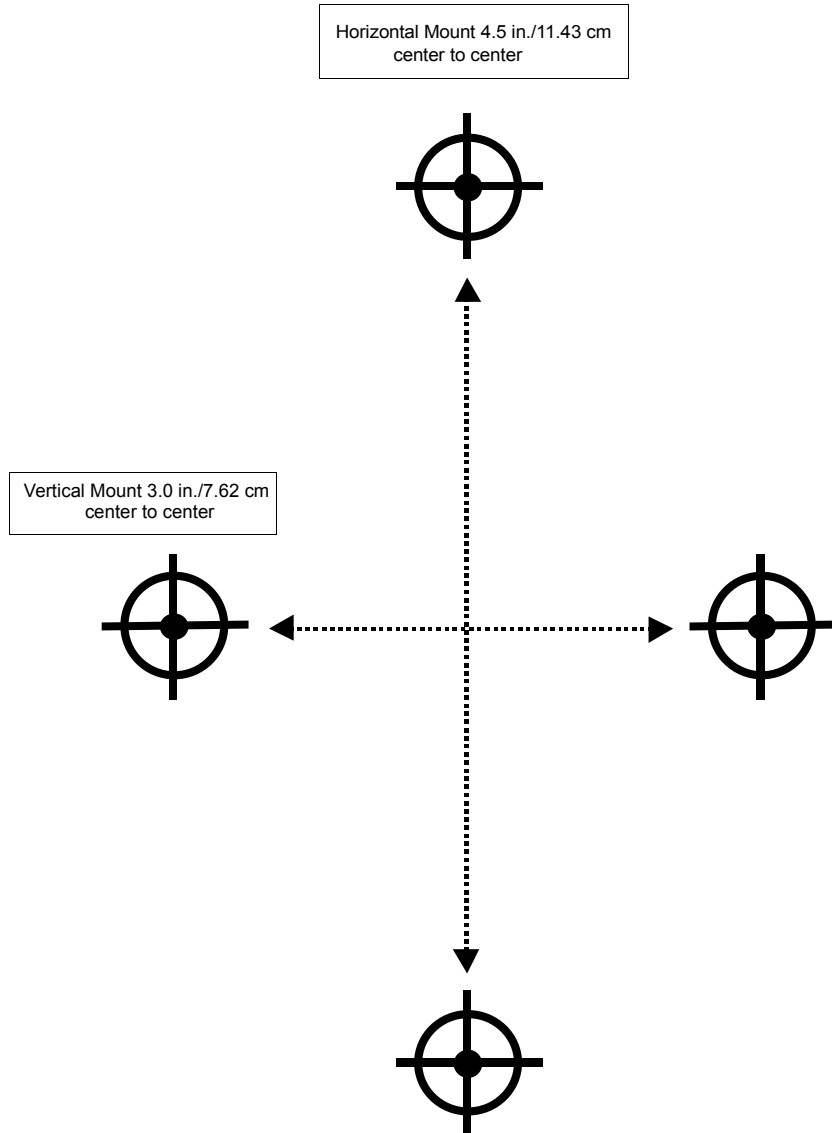


## Mounting Template

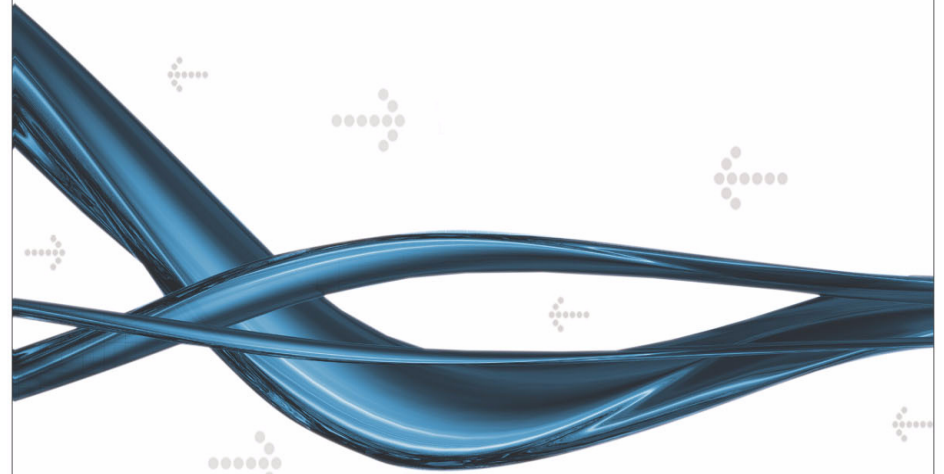
Two #8 wood screws are required to mount the unit either vertically or horizontally. Use this page as a template for determining screw locations. Leave 1/2 inch (1.3 cm) of the screw head exposed; you can then slide the base of the unit directly onto the screw heads for mounting.



This product includes software developed by the University of California, Berkeley and its contributors. This product includes cryptographic software written by Eric Young (eay@cryptsoft.com).

Copyright 2005 by Hypercom Corporation. All Rights Reserved. Hypercom and the Hypercom logo are registered trademarks of Hypercom Corporation. IN-tact is a trademark of Hypercom Corporation. 940452-003, Rev C

# IN-tact™ 1201 Installation Guide



 [www.hypercom.com](http://www.hypercom.com)



## IN-fact™ 1201 IP Gateway

The Hypercom® IN-fact 1201 is an IP gateway device that provides protocol conversion and secure managed connections for a dial Point of Sale (POS) terminal. The product is used to convert transactions to Internet Protocol (IP) transactions over Ethernet UTP. The IN-fact 1201 allows you to use your current POS dial terminal and take advantage of a DSL, cable modem, or VPN Ethernet connection to access a host interface using TCP/IP protocol.

The unit is easy to install and has been pre-configured with all needed information. The only action required on your part is to connect the network and power cables. These installation instructions are provided to help you make the necessary connections.

### Compliance

This equipment has been tested and is compliant with:

- FCC Part 15 (ICES-003)
- UL 60950-1 (CSA C.22 No. 60950-1)

See the *IN-fact 1201 Hardware Guide* for complete US and International compliance statements.



### Safety Precautions

This section describes the precautions necessary to install Hypercom products safely and reliably.

**General:** The IN-fact 1201 is considered to be Safety Class III equipment that requires connection to an earth-ground terminal. As such, an uninterrupted safety ground must be provided from the earthed AC main supply socket-outlet to which the IN-fact 1201 is connected. The socket-outlet providing AC power to the equipment must be installed near the equipment and be easily accessible. If it is suspected that this earthing protection is impaired, turn the equipment off, secure it against any unintended operation, and schedule the repair of the equipment.

**Electrical Safety:** Observe all proper electrical safety practices when operating any equipment attached to an active power source.

**Equipment Damage:** Ensure that the correct adapters, interfaces, or cables are installed in the IN-fact 1201 ports. Otherwise, equipment damage may occur.

**Interconnectivity:** Unless otherwise specified, the interfaces of the IN-fact 1201 are not intended to directly connect to off-premise wiring.

**Ventilation:** Allow proper clearance for ventilation. Inadequate ventilation may affect operation.

**Fuse/Battery Replacement:** There are no user-serviceable fuses or batteries within the IN-fact 1201 unit.

## Unpack/Check Contents

After unpacking the IN-fact 1201, verify that you have the following parts:

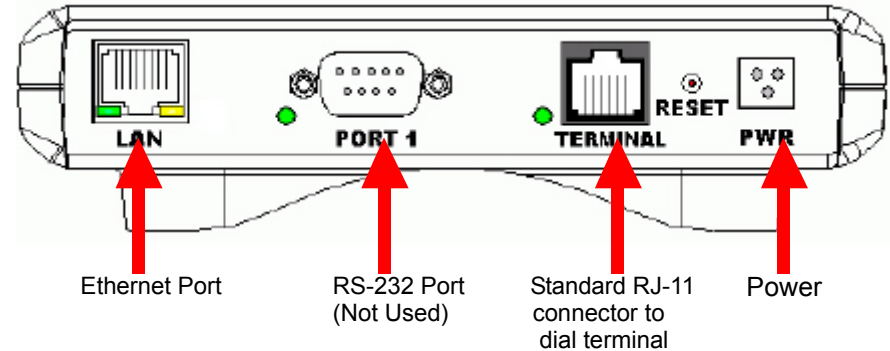
- IN-fact 1201 unit (P/N 010304-002)
- Power adapter (P/N 870003-001)

You can find the IN-fact documentation on the Hypercom website at [www.hypercom.com](http://www.hypercom.com). Look under Products and select **Related Information > Manuals > IN-fact Series**.

## Mounting Instructions

The IN-fact 1201 may be placed on a shelf, countertop, or other convenient location. Optionally, it can be mounted on a wall or under a countertop. Perform all mounting before connecting any cables. A mounting template and instructions are on the back page of this document.

## Connection Points



## Connect the Power Supply

1. Connect the three prong connector of the power supply cord to the power port on the back of the IN-fact 1201 unit (shown above).
2. Connect the standard AC power plug to an approved power outlet or surge protector. The unit powers on upon connection; there is no power switch.

## Check the LEDs

1. After connecting the IN-fact 1201 unit, check the power LED on the front panel. It should now be glowing green, indicating that the unit is powered on.
2. If power is on, check the LEDs at the bottom of the LAN connection on the back panel. They should both be flashing, indicating that the unit is communicating with the router or other network device and seeking a DHCP IP address. Once an address is acquired, the green LED lights solid and flashes whenever LAN communication traffic is detected. The yellow LED is normally off and flashes whenever communication traffic to the IN-fact occurs.